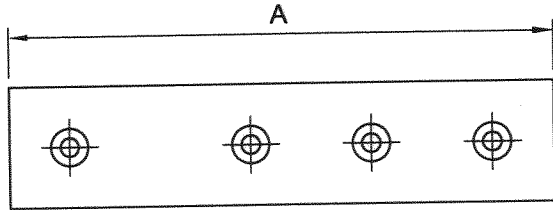
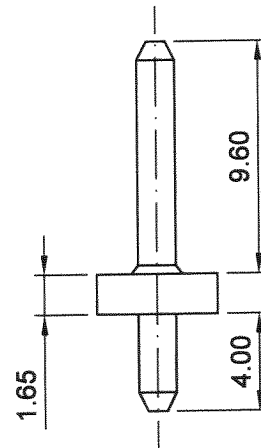
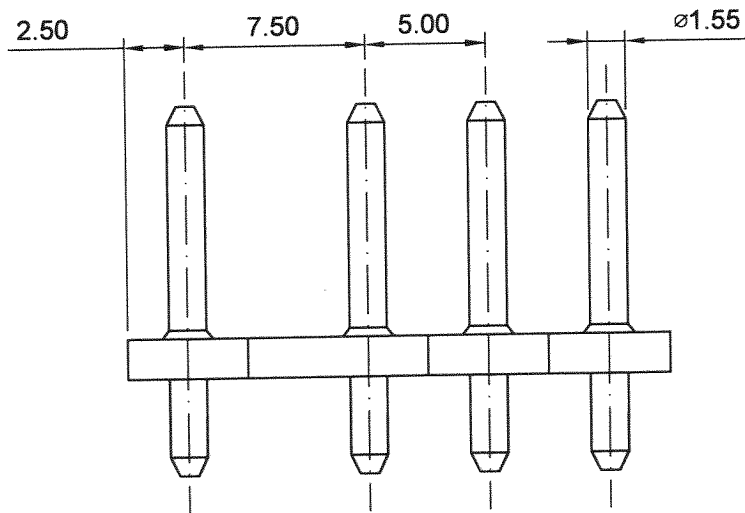


RoHS
Compliant
2002/95/EC

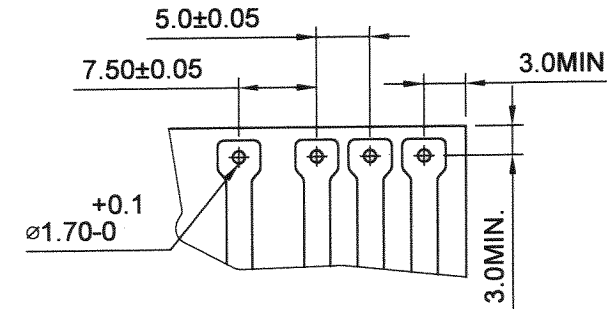


SPECIFICATION

CURRENT RATING : 2A
 VOLTAGE RAGING : 250V AC, 350V DC
 WITHSTANDING VOLTAGE : 1000V AC/MIN.
 INSUALTION RESISTANCE : 1000 MΩ MIN.
 TEMPERATURE RANGE : -25°C ~ +85°C
 APPLICABLE PC BOARD THICKNESS : 1.6mm
 CONTACT RESISTANCE : 10 MΩ MIN.
 AFTER ENVIRONMENTAL TEST : 20MΩ MAX.
MATERIAL
 PIN : BRASS,TIN PLATED
 BASS : BAKELITE



P.C.B. LAYOUT AND ASSEMBLY LAYOUT



POLES	A DIM.
01	5.00
02	12.50
03	17.50
04	22.50
05	27.50
06	32.50

JAWS® 兆旭股份有限公司
JAWS CO., LTD.
 7F-1, NO.31, Lane 169, Kang Ning Street,
 Hsichih, Taipei Hsien, Taiwan.
 TEL:886-2-2692-2898
 FAX:886-2-2692-2618
 Http://www.jaws.com.tw

THIRD ANGLE
PROJECTION

DESIGN UNITS
mm □ INCH

SIZE: **A4** SCALE: **FREE** SHEET: **1/1**
 CPN NO.:
 DAN NO.: **S9603-013**

TITLE: **1.55ø POWER WAFER**
 PARTS NO.: **4155A-WS-xxT-1**
 DWG NO.: **JAWS-SOP-4155A001**

GENERAL TOLERANCES :

±0.30

DRAWN	游熾瑩	DATE	96/03/07
CHECK	李如益	DATE	96.3.7
APPROVE	陳世官	DATE	96.3.7